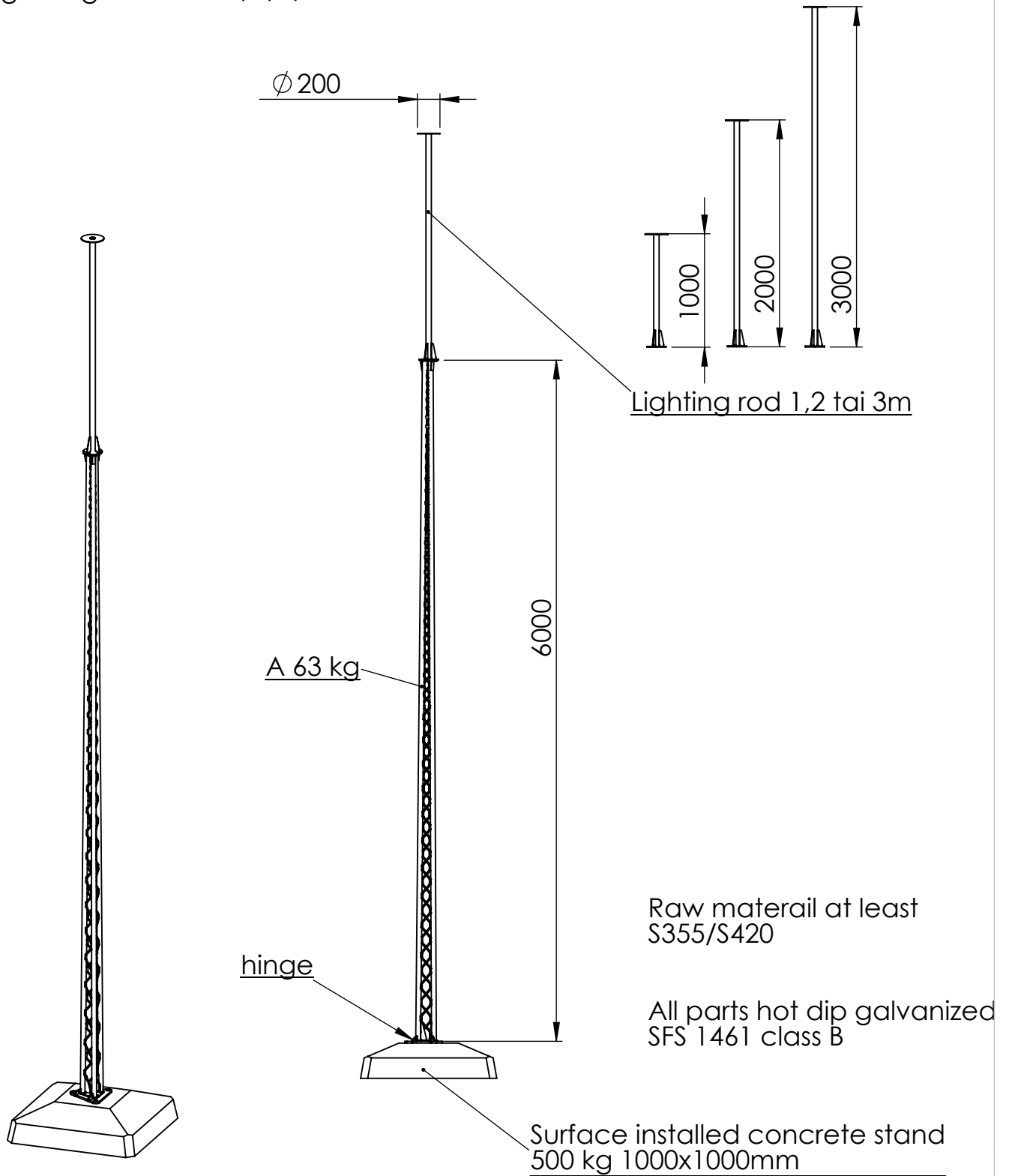
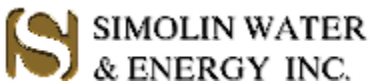


lightning rod mast 6/7/8/9m A



| | | | | | | | | | | |
|----------|---------|------|----|------------|----------|---|--|--------|-----|----|
| Revision | | | | Tolerances | | Scale | | Weight | | |
| | | | | | | Material | | | | |
| | | | | Date | Name | D:\CAD\Työt\Mastof\Ukkosmastof\ | | | | |
| | | | | Draw | 8.4.2015 | | | | | IS |
| | | | | Chk | | | | | | |
| | | | | App | | | | | | |
| | | | | A | |  | | | Rev | |
| Mark | Edition | Date | Dr | | | | | | | |