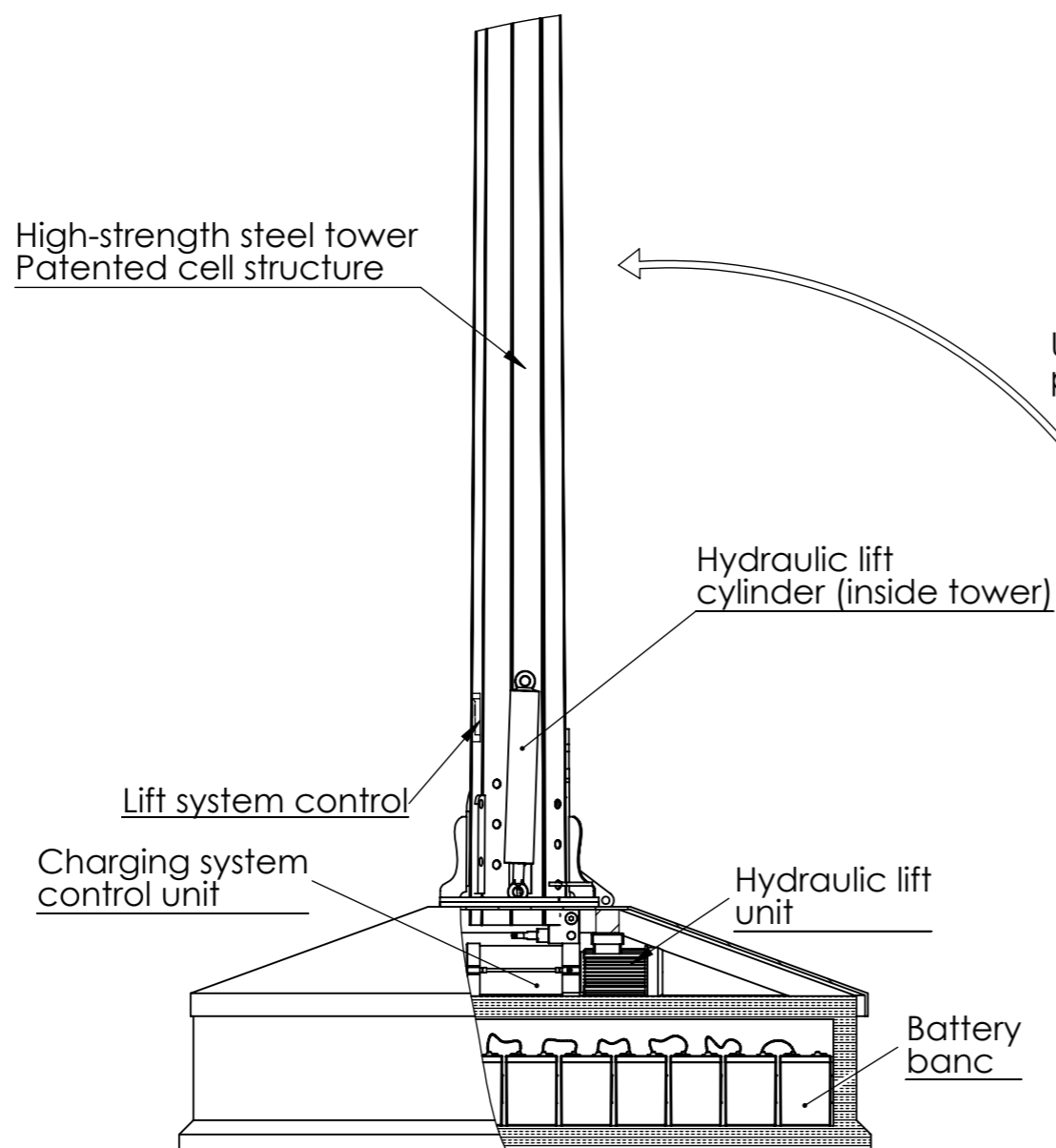


Height 20 m  
(18 m + 2 m wind turbine)



High-strength steel tower  
Patented cell structure

Hydraulic lift  
cylinder (inside tower)

Lift system control

Charging system  
control unit

Hydraulic lift  
unit

Battery  
banc

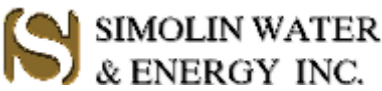
Up / down by  
pressing a button

Wind generator  
500w-1800w

- Surveillance camera
- Thermal camera
- Flood light
- Round radar
- Etc.

Solar panel a´100w-250w

Antenna  
3g, 4g  
Wlan etc.

Revision		Tolerances		Scale		Weight	
				Material			
		Date	Name	D:\CAD\Kirjasto-osat\Akut\			
		Draw 2.9.2015	IS				
		Chk					
		App					
				<b>Valvontatorni tekninen</b>			
Mark	Edition	Date	Draw			Rev	